

Bourdon tube pressure gauge with electrical output signal

Stainless steel case, ingress protection IP 41

Model PGT11

WIKA data sheet PV 11.06

intelliGAUGE®

Applications

- General machine building
- Medical gases

Special features

- Non-contact sensor (wear-free)
- Robust stainless steel case
- Nominal size 40, 50
- Scale ranges 0 ... 1.6 bar to 0 ... 400 bar
- Different output signals



Bourdon tube pressure gauge model PGT11

Description

Design
EN 837-1

Nominal size in mm
40, 50

Accuracy class
2.5

Scale ranges
0 ... 1.6 to 0 ... 400 bar
or all other equivalent vacuum or combined pressure and vacuum ranges

Pressure limitation
Steady: 3/4 x full scale value
Fluctuating: 2/3 x full scale value
Short time: Full scale value

Permissible temperature
Ambient: -20 ... +60 °C
Medium: +60 °C maximum

Temperature effect
When the temperature of the measuring system deviates from the reference temperature (+20 °C): max. $\pm 0.4 \%$ /10 K of the span

Process connection
Cu-alloy,
lower mount (LM) or centre back mount (CBM)
G 1/4 B (male), 14 mm flats

Pressure element
Cu-alloy, C-type

Movement
Cu-alloy

Dial
Plastic, white, black lettering

Pointer
Plastic, black

Case

Stainless steel

Window

Plastic, crystal-clear (PC)

Ingress protection

IP 41 per EN 60529 / IEC 529

Electronics

Output signal (275° indication angle)

With $U_s = DC\ 5\ V$, ratiometric:

0.5 ... 2.5 V, 0.5 ... 3.5 V or 0.5 ... 4.5 V

With $U_s = DC\ 12\ \dots\ 32\ V$, not ratiometric:

0.5 ... 2.5 V, 0.5 ... 3.5 V or 0.5 ... 4.5 V or
4 ... 20 mA, 2-wire

Supply voltage (U_s)

DC 5 V / DC 12 ... 32 V

Electrical connections

Cable outlet, standard length 2 m

Colour	2-wire	3-wire
red	$U_B +$	$U_B +$
black	GND	GND
orange	-	$U_{SIG} +$

Electromagnetic compatibility

Per test standards EN 61000-4-6 / EN 61000-4-3

Output signal and permissible load

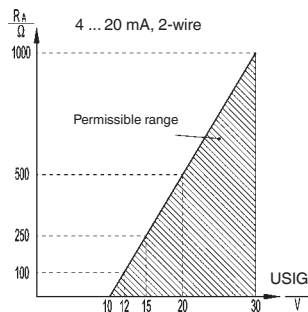
Voltage output (3-wire):

$R_A > 5\ k\Omega$

Current output (2-wire)

4 ... 20 mA:

$R_A \leq (U_{SIG} - 10\ V) / 0.02\ A$ with
 R_A in Ω and U_{SIG} in DC V



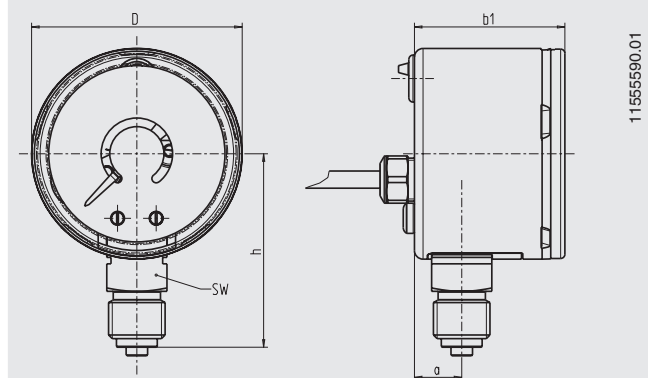
Options

- Other process connection (with adapter, Cu-alloy)
- Other cable length

Dimensions in mm

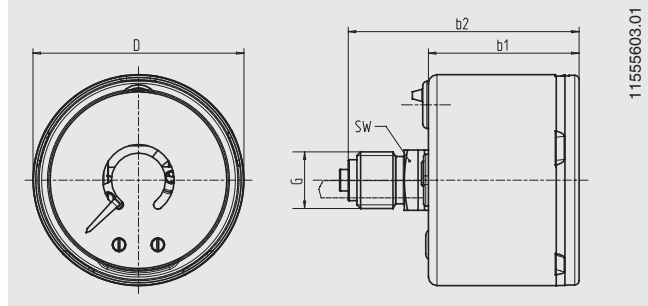
Standard version

Lower mount (LM)



11555590.01

Centre back mount (CBM)



11555603.01

NS	Dimensions in mm				Weight in kg			
	a	b ₁	b ₂	D	G	h	SW	
40	9	30.6	48	40	G 1/8 B	36	14	0.1
50	10	35.5	53.5	49	G 1/4 B	45	14	0.2

Process connection per EN 837-1 / 7.3

Ordering information

Model / Nominal size / Scale range / Connection size / Connection location / Output signal / Options

© 2010 WIKA Alexander Wiegand SE & Co. KG, all rights reserved.
The specifications given in this document represent the state of engineering at the time of publishing.
We reserve the right to make modifications to the specifications and materials.



WIKAL Alexander Wiegand SE & Co. KG
Alexander-Wiegand-Straße 30
63911 Klingenberg/Germany
Tel. (+49) 9372/132-0
Fax (+49) 9372/132-406
E-mail info@wika.de
www.wika.de