



LINE SEIKI

DIGITAL THERMOMETER

TC-250 EASY OPERATION
TC-400 MULTI FUNCTION

CE
RoHS

AUTO POWER-OFF / DATA HOLD

Features Thermocouple Type K / Auto-Power Off / Data Hold /
Burn-out Display / Battery Alarm / In Conformance to
CE(EMC) / RoHS Compliant

TC-400 Additional Features Selectable Measuring Unit °C or °F / MAX. MIN. Record / Data
Storage / Relative Value / Display / Reference Value Memory

INFRARED THERMOMETER

TC-6000 SIMPLE & EASY OPERATION

Handy gun type with laser marking function.
EL back light function.
In Conformance to CE(EMC).

CE



TC-250

TC-400

TC-6000

Specifications

Model	TC-250	TC-400
Sensor Type	Type K	
Measuring Range	-160°C (-256°F) - +1,372 °C(+ 2,502°F)	
Resolution	199.9°C (391.8°F) and below: 0.1°C (0.2°F) 200°C (392°F) and above: 1°C (1°F)	
Accuracy at Ambient Temp. (25°C(77°F)±5°C(41°F))	0~199.9°C (32°F~391.8°F): ±0.1% of reading + 0.7°C(1.3°F) -0.1°C(31.8°F) or less: ±0.2% of reading + 1°C(1.8°F) 200°C(392°F) above:±0.2% of reading + 1°C(1.8°F)	
Temperature	±0.015% of reading + 0.06°C (0.108°F) / °C(1.8°F)	
Coefficient	Approx. 1.2 sec.	
Sampling Time	°C/ °F (Selectable) , Auto Power-Off ,	
Operation Function	Auto Power-Off , Data Hold	Data Hold , Data Record(MAX / MIN / Memory) , Relative Measurement
Display	HOLD, Burn-out, Low Battery	HOLD,REC, REL, MAX, MIN, MEM, °C/ °F, Burn-out, Low Battery
Operating Temp. / Humidity	0 - 50°C (32 - 122°F) 0 - 90 % RH at 0 - 35°C (32 - 95°F)	
Power Supply	Battery 006P (9V)	
Battery life	Approx. 500 Hours	
Size / Weight	Approx. 166 (H) x 68 (W) x 35 (D) mm, Approx. 200g	
Sensor Connector	Thermocouple Connector	
Accessories	One Battery 006P, Instruction Manual	
Compliance	CE and RoHS	

Carrying Case (Sold Separately)

Model No. / HM-818

Waist-Pouch Type with Belt



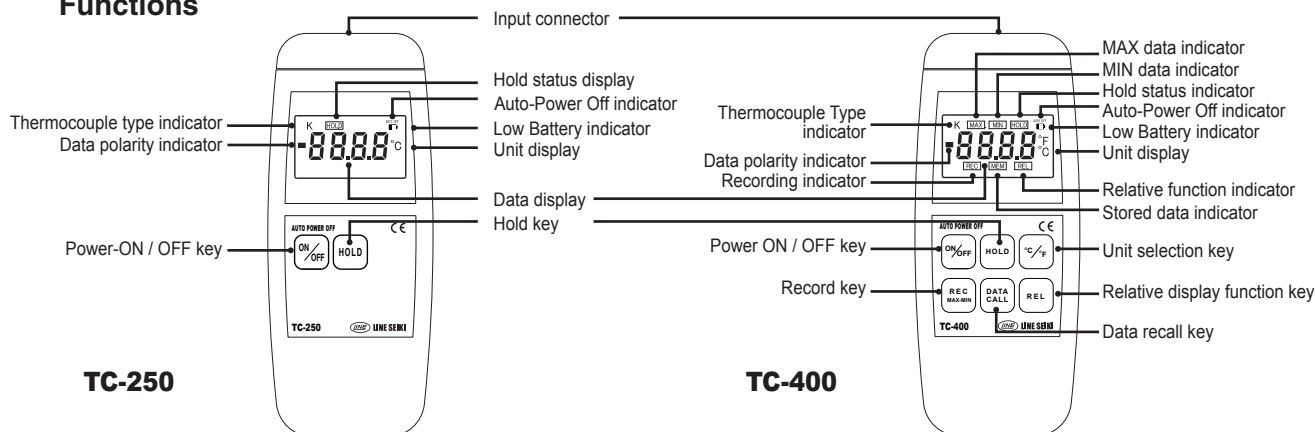
300 (H) x 140 (W) x 40 (D) mm

Thermocouple Probes (Sold Separately)

Please refer to Thermocouple probes catalog to choose the best model for your application.

K: -160°C (-256°F) - +1,372°C (+2,502°F)

Functions

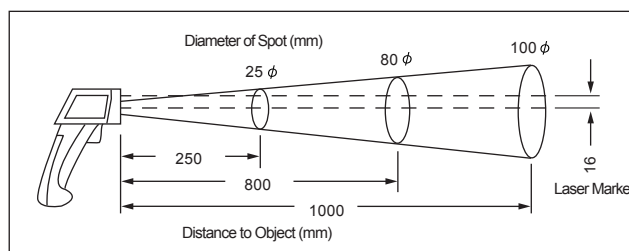


INFRARED THERMOMETER

TC-6000

Specifications

Measuring Range	- 30°C - +550°C
Resolution	0.5°C/1°C Automatic Change
Accuracy	±2% rdg or ±3°C whichever is higher
Sampling Time	4 times / sec
Emittance	0.95 Fix
Measuring Area Size	φ100mm at 1000mm
Ambient Range	0°C - 50°C, under 70%RH
Storage Ambient Range	- 20°C - +60°C, under 80%RH
Display	3.5 Digit LCD Display
Power Supply	9V 006P
Size / Weight	148 (W) x 105 (H) x 42 (D) mm , Approx. 160g
Accessories	One Battery 006P, Instruction Manual , Plastic Cover
Compliance	CE



LINE SEIKI CO., LTD.

Address: 37-7 Chuo-cho, 2-Chome Meguro-ku, Tokyo 152-0001 Japan
 Contact : Tel: +81-3-37165151 Fax: +81-3-37104552
 E-mail : webtrade@line.co.jp Web: http://www.line.co.jp

This catalogue was last revised as of Nov. 9, 2012.
 *Specifications Subject to Change Without Notice
 All Rights Reserved, Copyright©2012, LINE SEIKI CO., LTD.

Authorized Distributor :